



# DATA SPECIFICATION(特性要求): (TABLE-1)

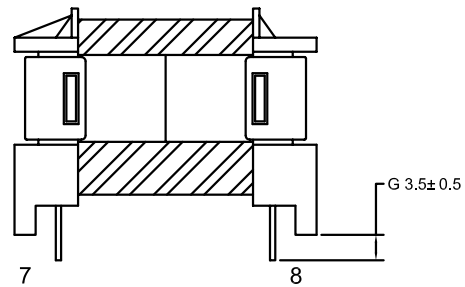
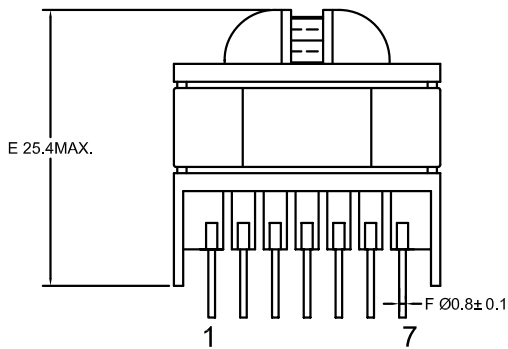
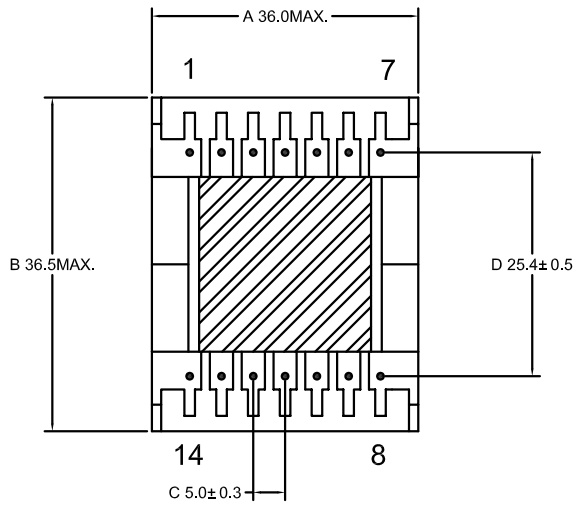
ITEM 项目	MEASUREMENTS 测试脚位	CHARACTERISTICS 测试范围	MEASURING CONDITIONS 条件 T=23± 4℃;HR(%)=45± 15	REMARK 备注
LS 电感	PIN(13-10)	14mH MIN.	F(KHz) =26 Ug(V) =1	SERIAL MODE 串联模式
DCR 直流电阻	PIN(13-10)	2.0Ω MAX.	/	4 WIRES MODE 四线模式
	PIN(2-4)	150mΩ MAX.	/	4 WIRES MODE 四线模式
HIPOT 耐压	PRI./SEC.	NO BREAKDOWN 漏电流≤.0mA	VAC=2500V /10SEC.	F(Hz) =50/60
	COIL/CORE	NO BREAKDOWN 漏电流≤.0mA	VAC=2000V /10SEC.	F(Hz) =50/60
TR 圈比	(13-10)/(2-4)	100:19±0.4TS	F(kHz)=10 Ug(V)=1	Apply Ug(13-10) 电压施加于(13-10)
PH 相位	REFER TO LAYOUT DIAGRAM (FIG-1) 参考原理图(FIG-1)			

Prepared By ENG:	Date:	TITLE:  <b>TRANSFORMER</b>	CUSTOMER	MODEL NO.:ETD29	
Checked By QA:	Date:		Approved:	REV.	00
Approved By ENG:	Date:		Date:	PAGE 1 OF 3	



# OUTLINE DIAGRAM(外观图) :

UNIT : mm



## NOTES:

1. Assembly the 2 magnetic cores on the bobbin with 2 pcs clips;  
用两铁夹将两铁芯组装在胶芯上;
2. The component must be vacuum impregnated in varnish #642;  
产品需含浸凡立水#642且抽真空;
3. YYWW: year/week code .  
YYWW:年份/周期代码.
4. The part should be complied with RoHS.  
产品应符合ROHS要求.

Prepared By ENG:	Date :	TITLE :  TRANSFORMER	CUSTOMER Approved: Date:	MODEL NO. :ETD29	
Checked By QA:	Date :			REV. :	00
Approved By ENG:	Date :			PAGE 2 OF 3	



# LAYOUT DIAGRAM (原理图): (FIG-1)

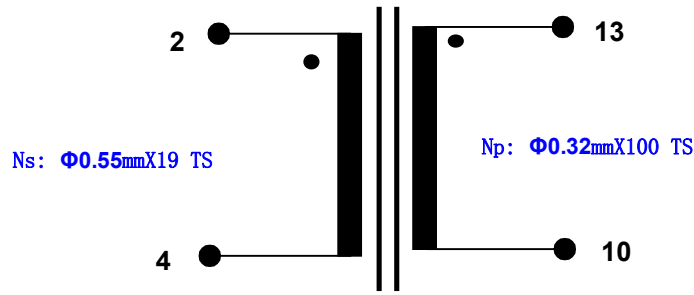


FIG-1

# CROSS SECTION DAGRAM剖视图: (FIG-2)

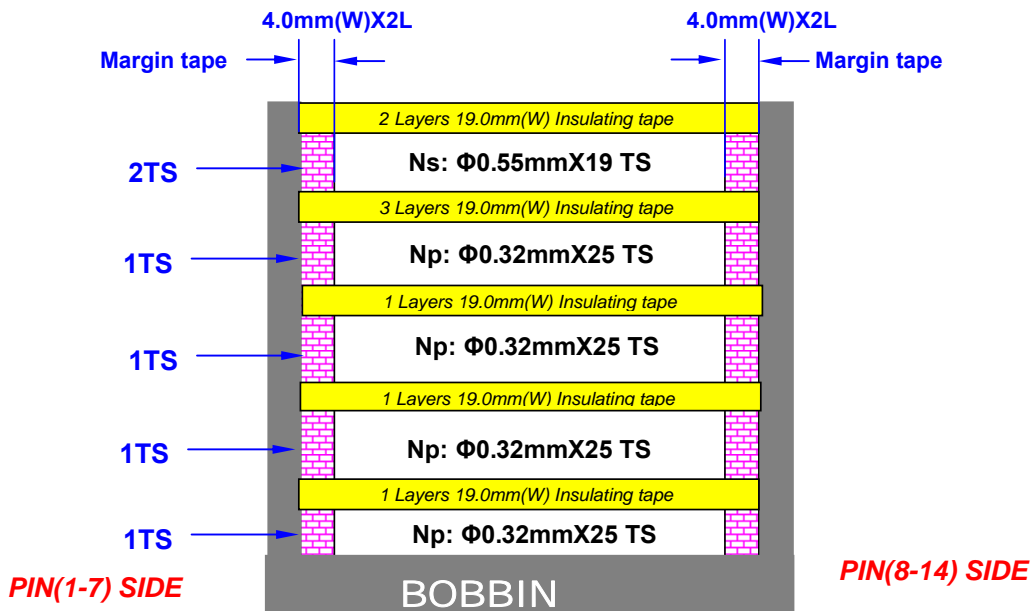


FIG-2

Prepared By ENG:	Date:	TITLE:  <b>TRANSFORMER</b>	CUSTOMER		MODEL NO:ETD29
Checked By QA:	Date:		Approved:	REV.	00
Approved By ENG:	Date:		Date:	PAGE	3 OF 3

## 免责声明

## Disclaimer

Specifications and appearances may change without notice. All statements, technical information and recommendations herein are based on tests that we believed to be reliable, but the accuracy and completeness are not guaranteed. Before using, user should determine the suitability of the product for its intended use, and the user assumes all risks and liabilities whatsoever in connection therewith. Neither the seller nor the manufacturer shall be liable for any loss or damage, direct, incidental or consequential, including loss of profits or revenues arising from the use or inability to use the product. Any statements or recommendations shall have no effect unless contained in an agreement signed by authorized personnel of the seller and manufacturer. 依美电感保留更改产品资料和外观的最终权利而无需事先通知。如有任何争议, 依美电感保留最终决定权。此中文免责声明为英文版本译本, 如中、英文两个版本有任何抵触或不相符之处, 应以英文版本为准。