

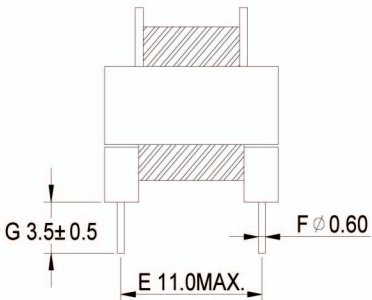
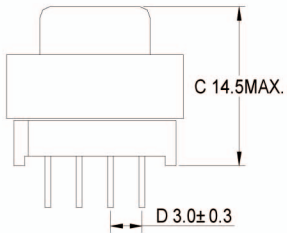
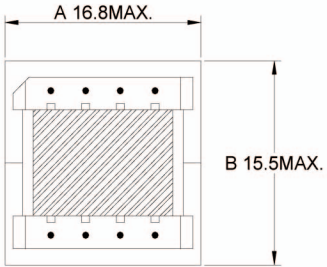


- ①. Designed for use with power integrations IC's , Tiny switch family
- ②. Output voltage range from 5V to 12Vdc
- ③. 3000Vrms Isolation (Hi-Pot). Meets UL 1950, IEC950 Safety Standard

GENERAL ELECTRICAL SPECIFICATIONS

DIMENSION (mm)

EE 16 H "TYPE



EE 16 V "TYPE

