



DATA SPECIFICATION (特性要求) : (TABLE-1)

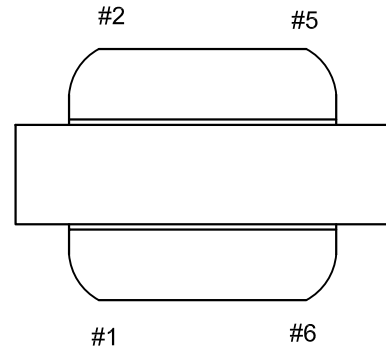
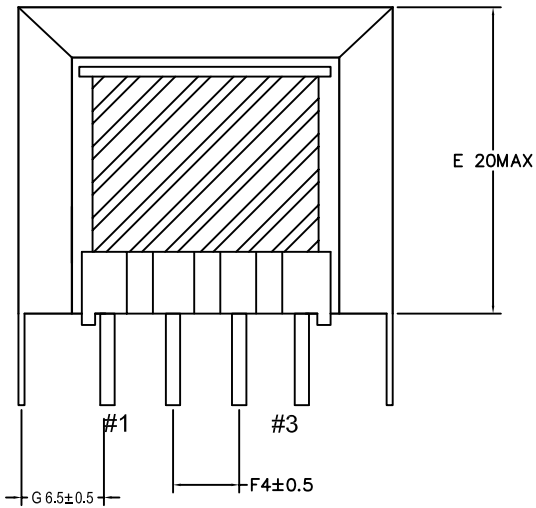
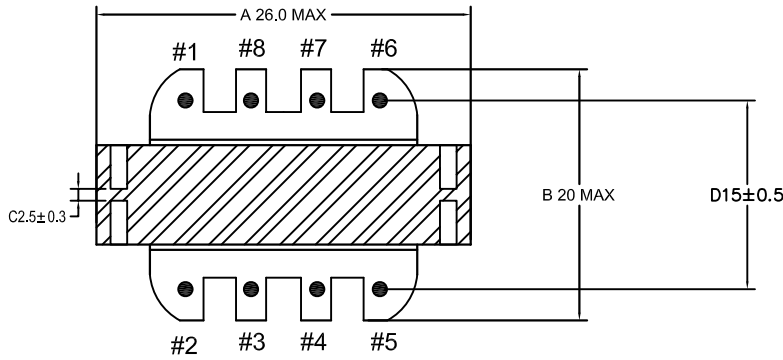
ITEM 項目	MEASUREMENTS 測試腳位	CHARACTERISTICS 測試範圍	MEASURING CONDITIONS 測試條件 T(°C)=25±3;HR(%)=45±15	REMARK 備注
UNLOADED VOLTAGE 空載輸出電壓	PIN(8-5)	6.3V±0.3V	INPUT PIN(4-1):100VAC 60Hz NO Load	
LOADED VOLTAGE 負載輸出電壓	PIN(8-5)	6.3V±0.3V	INPUT PIN(4-2):70VAC 60Hz NO Load	
LOADED VOLTAGE 負載輸出電壓	PIN(8-5)	6.3V±0.3V	INPUT PIN(4-3):25VAC 60Hz NO Load	
UNLOADED Current 空載電流	PIN(4-3)	25mA MAX.	INPUT PIN(4-3):25VAC 60Hz NO Load	
HIPOT 耐壓	PRI./SEC.	NO Breakdown 漏電流≤5.0mA	VAC=1240V/2SEC. F(Hz) =60Hz	
	COIL/CORE	NO Breakdown 漏電流≤5.0mA	VAC=500V/2SEC. F(Hz) =60Hz	
PH 相位	REFER TO LAYOUT DIAGRAM FIG-1 參考原理圖(FIG-1)			

Prepared By ENG:	DATE :	TITLE: TRANSFORMER	CUSTOMER Approved: Date:	MODEL NO:EI24	
Checked By QA:	DATE :			REV.	00
Approved By ENG:	DATE :			PAGE 1 OF 3	



OUTLINE DIAGRAM(外观图):

UNIT : mm



NOTES:

- 1.The core should to be fixed with 2 layers 5.0mm width tape;
在铁芯上包2 圈7.5mm宽的胶纸;
- 2.The product must be dip varnish .
产品须含浸凡立水
- 3.YYWW:year and week code.
YYWW:表示年份和周期代码.
4. The product should be according to RoHS
产品要符合RoHS

Prepared By ENG:	Date :	TITLE : TRANSFORMER	CUSTOMER Approved: Date:	MODEL NO. :EI24	
Checked By QA:	Date :			REV.:	00
Approved By ENG:	Date :			PAGE	2 OF 3



LAYOUT DIAGRAM 原理图: (FIG-1)

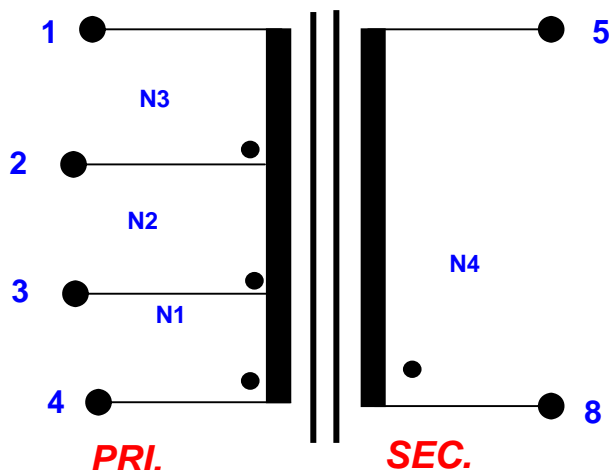


FIG-1

CROSS SECTION DIAGRAM 剖视图: (FIG-2)

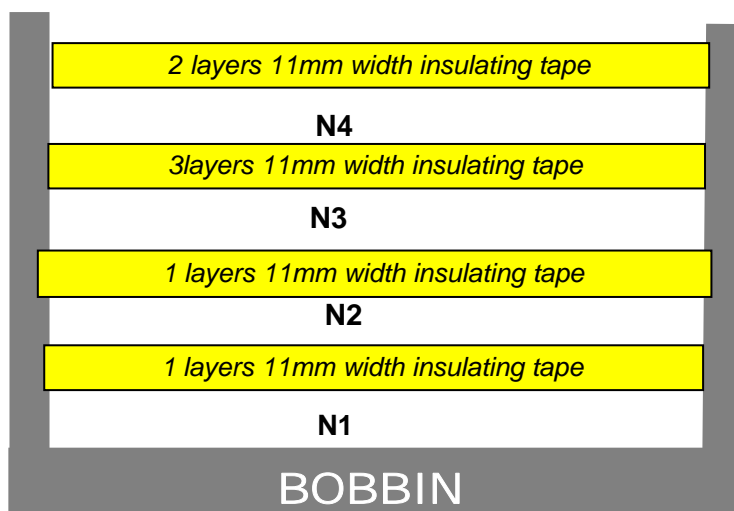


FIG-2

Prepared By ENG:	Date:	TITLE: TRANSFORMER	CUSTOMER	MODEL NO.:EI24	
Checked By QA:	Date:		Approved:	REV.	00
Approved By ENG:	Date:		Date:	PAGE 3 OF 3	

免责声明 Disclaimer

Specifications and appearances may change without notice. All statements, technical information and recommendations herein are based on tests that we believed to be reliable, but the accuracy and completeness are not guaranteed. Before using, user should determine the suitability of the product for its intended use, and the user assumes all risks and liabilities whatsoever in connection therewith. Neither the seller nor the manufacturer shall be liable for any loss or damage, direct, incidental or consequential, including loss of profits or revenues arising from the use or inability to use the product. Any statements or recommendations shall have no effect unless contained in an agreement signed by authorized personnel of the seller and manufacturer.

依美电感保留更改产品资料和外观的最终权利而无需事先通知。如有任何争议，依美电感保留最终决定权。此中文免责声明为英文版本译本，如中、英文两个版本有任何抵触或不相符之处，应以英文版本为准。