



# Data Specification( 特 性 要 求) : (Table-1)

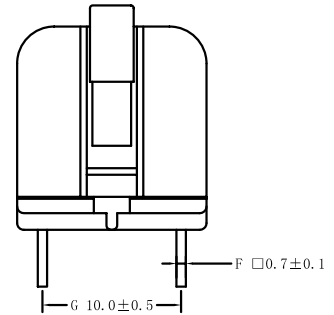
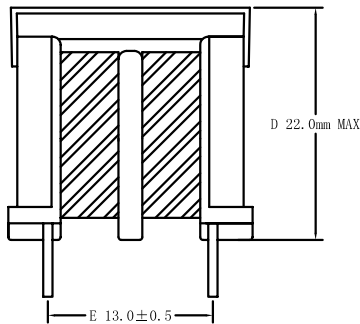
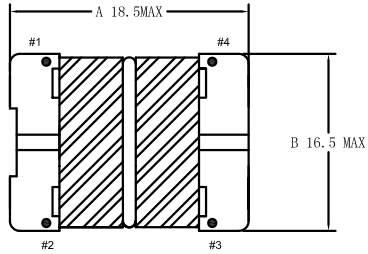
ITEM 項 目	MEASUREMENTS 测 试 腳 位	CHARACTERISTICS 测 试 範 圍	MEASURING CONDITIONS 测 试 條 件 T(°C)=25±3;HR(%)=45+15	REMARK 備 注
LS 電 感	PIN(1-2) PIN(4-3)	7.7mH MIN.	Ug(V) =1.0 F(kHZ) =1	SERIAL MODE 串 联 模 式
DCR 直 流 電 阻	PIN(1-2) PIN(4-3)	0.45 Ω MAX.		4WIRES MODE 四 线 模 式
HIPOT 耐 壓	(1-2)/(4-3)	NO BREAKDOWN 漏 电 流 ≤ 5.0mA	VAC=1500V /3SEC. F(HZ) =50	
	COIL/CORE	NO BREAKDOWN 漏 电 流 ≤ 5.0mA	VAC=1500V /3SEC. F(HZ) =50	
PH 相 位	REFER TO LAYOUT DIAGRAM (FIG-1) 参 考 原 理 图 (FIG-1)			

Prepared By ENG:	DATE :	<b>TITLE:</b>  <b>LINE FILTER</b>	<b>CUSTOMER</b> Approved: Date:	MODEL NO:UU10.5	
Checked By QA:	DATE:			REV.:	00
Approved By ENG:	DATE:			PAGE 1 OF 3	



OUTLINE DIAGRAM (外观图) :

UNIT : mm



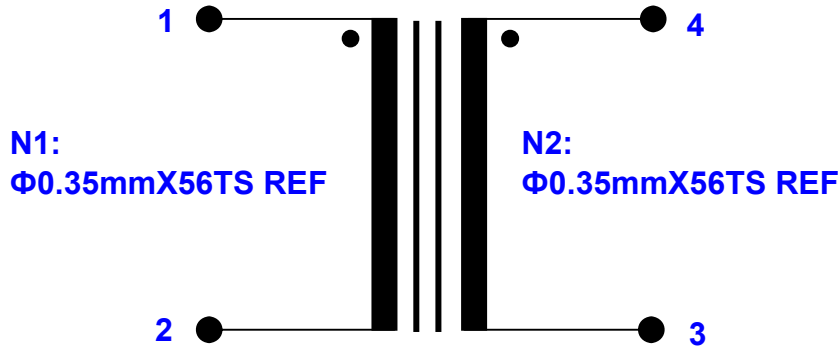
NOTE:

1. The product must be impregnated in varnish.  
产品需含浸凡立水.
2. the part should be complied with ROHS.  
产品需满足ROHS要求.
3. YY WW: Year and week code;  
年份周期代码.

Prepared By ENG:	Date :	TITLE :  LINE FILTER	CUSTOMER	MODEL NO. :UU10.5	
Checked By QA :	Date :		Approved:	REV.	00
Approved By ENG:	Date :		Date:	PAGE 2 OF 3	

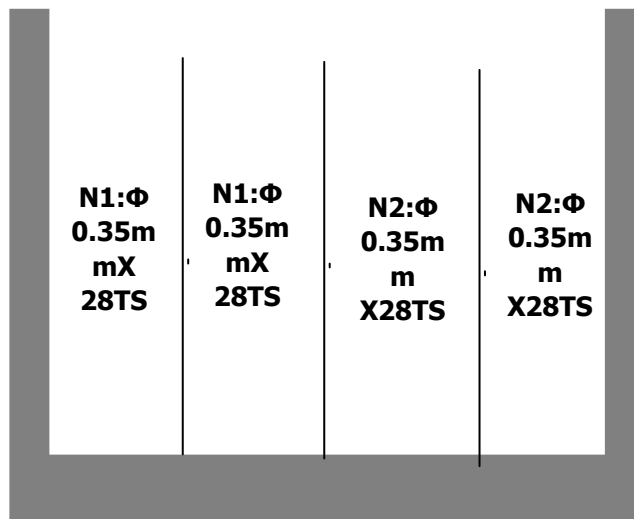


# LAYOUT DIAGRAM (原理圖) : (FIG-1)



**FIG-1**

# CROSS SECTION DIAGRAM(剖视图) : (FIG-2)



**FIG-2**

Prepared By ENG:	DATE :	<b>TITLE:</b>  <b>LINE FILTER</b>	CUSTOMER	MODEL NO:UU10.5	
Checked By QA:	DATE :			Approved:	REV.
Approved By ENG:	DATE :		Date:	PAGE 3 OF 3	

免责声明  
Disclaimer

Specifications and appearances may change without notice. All statements, technical information and recommendations herein are based on tests that we believed to be reliable, but the accuracy and completeness are not guaranteed. Before using, user should determine the suitability of the product for its intended use, and the user assumes all risks and liabilities whatsoever in connection therewith. Neither the seller nor the manufacturer shall be liable for any loss or damage, direct, incidental or consequential, including loss of profits or revenues arising from the use or inability to use the product. Any statements or recommendations shall have no effect unless contained in an agreement signed by authorized personnel of the seller and manufacturer.

依美电感保留更改产品资料和外观的最终权利而无需事先通知。如有任何争议，依美电感保留最终决定权。此中文免责声明为英文版本译本，如中、英文两个版本有任何抵触或不相符之处，应以英文版本为准。