



DATA SPECIFICATION (特性要求): (TABLE-1)

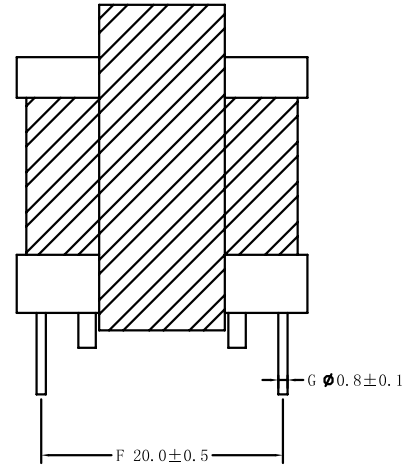
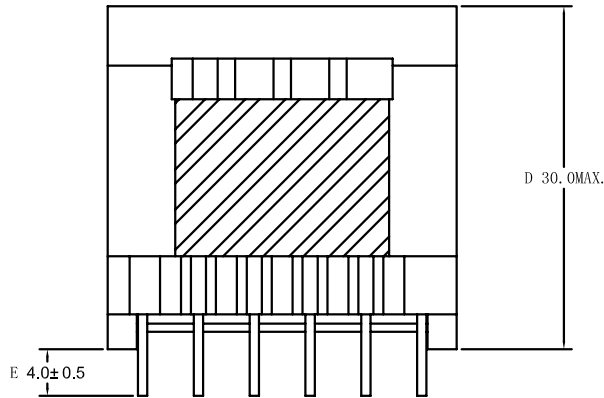
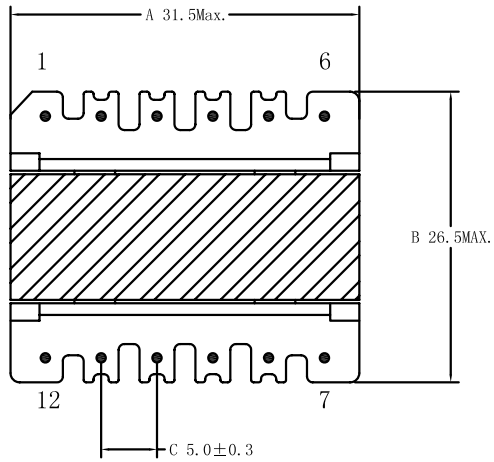
| ITEM 项目 | MEASUREMENTS 测试脚位 | CHARACTERISTICS 测试范围 | MEASURING CONDITIONS 条件 T=23±4°C;HR(%)=45±15 | REMARK 备注 |
|-------------|------------------------------------------------|---------------------------|----------------------------------------------------|----------------------|
| LS 电感 | PIN(10-11) | 21.1mH±10% | F(kHz)=1 U _g (V)=1 | SERIAL MODE 串联模式 |
| DCR 直流电阻 | PIN(10-11) | 3.5Ω MAX. | / | 4 WIRES MODE 四线模式 |
| | PIN(2-3) | 0.45Ω MAX. | / | 4 WIRES MODE 四线模式 |
| | PIN(5-8) | 0.42Ω MAX. | / | 4 WIRES MODE 四线模式 |
| HIPOT 耐压 | PRI/SEC | NO Breakdown 漏电流≤5.0mA | VAC=3000V /1SEC. | / |
| | PRI/CORE | NO Breakdown 漏电流≤5.0mA | VAC=1500V /1SEC. | / |
| | SEC/CORE | NO Breakdown 漏电流≤5.0mA | VAC=1500V /1SEC. | / |
| PH 相位 | REFER TO LAYOUT DIAGRAM FIG-1 参考原理图 (FIG-1) | | | |

| | | | | | |
|------------------|-------|--------------------------------------------------------------------|-----------|-----------------|------|
| Prepared By ENG: | Date: | TITLE: TRANSFORMER | CUSTOMER | MODEL NO. :EI30 | |
| Checked By QA: | Date: | | Approved: | REV. | 00 |
| Approved By ENG: | Date: | | Date: | PAGE 1 | OF 3 |



OUTLINE DIAGRAM (外观图) :

UNIT : mm



NOTE:

1. Assembly the 2 magnetic cores on the bobbin with 2 layers 10.5mm width tape .

用2层10.5mm宽的胶带将两铁芯组装在胶芯上.

2. The product should be according to RoHS

产品要符合RoHS

Prepared By ENG:

Date :

TITLE :

CUSTOMER

MODEL NO. : E130

Checked By QA:

Date :

Approved:

REV. :

00

Approved By ENG:

Date :

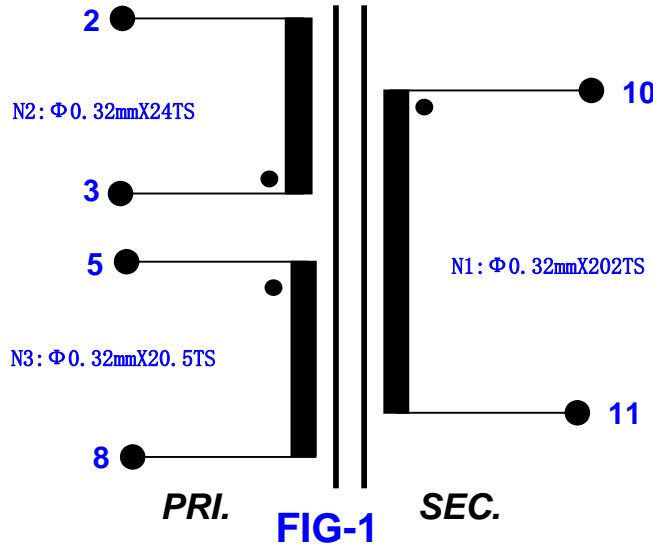
TRANSFORMER

Date:

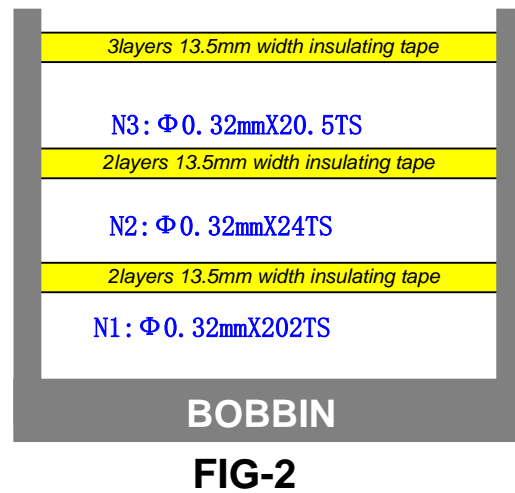
PAGE 2 OF 3



LAYOUT DIAGRAM 原理图: (FIG-1)



CROSS SECTION DIAGRAM 剖视图: (FIG-2)



| | | | | | |
|------------------|-------|-----------------------------------------|-----------|-----------------|--------|
| Prepared By ENG: | Date: | TITLE: TRANSFORMER | CUSTOMER | MODEL NO. :EI30 | |
| Checked By QA: | Date: | | Approved: | REV. | 00 |
| Approved By ENG: | Date: | | Date: | PAGE | 3 OF 3 |

免责声明 Disclaimer

Specifications and appearances may change without notice. All statements, technical information and recommendations herein are based on tests that we believed to be reliable, but the accuracy and completeness are not guaranteed. Before using, user should determine the suitability of the product for its intended use, and the user assumes all risks and liabilities whatsoever in connection therewith. Neither the seller nor the manufacturer shall be liable for any loss or damage, direct, incidental or consequential, including loss of profits or revenues arising from the use or inability to use the product. Any statements or recommendations shall have no effect unless contained in an agreement signed by authorized personnel of the seller and manufacturer.

依美电感保留更改产品资料和外观的最终权利而无需事先通知。如有任何争议，依美电感保留最终决定权。此中文免责声明为英文版本译本，如中、英文两个版本有任何抵触或不相符之处，应以英文版本为准。