



DATA SPECIFICATION特性要求: (Table-1)

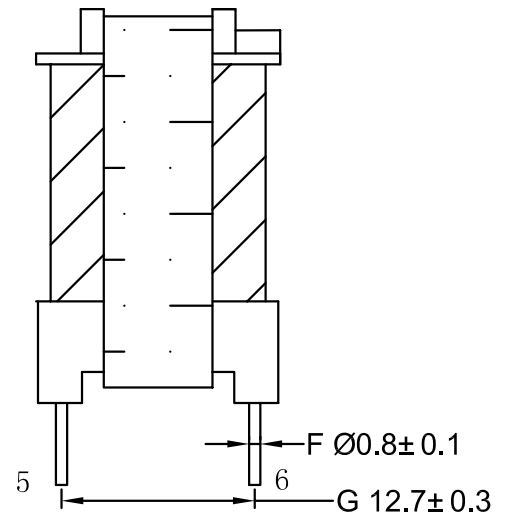
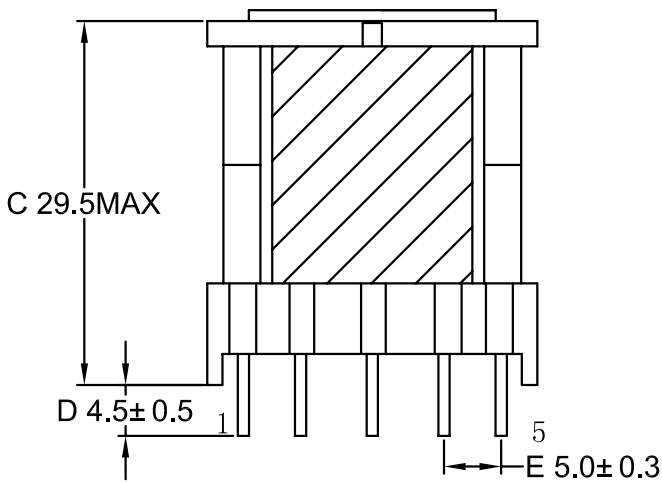
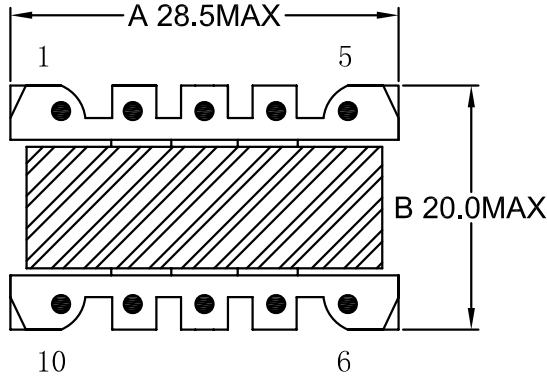
ITEM 项目	MEASUREMENTS 测试脚位	CHARACTERISTICS 测试范围	MEASURING CONDITIONS 测试条件 (T=20±4°C ;HR (%)=45±15)	REMARK 备注
LS 电感	PIN(10-8)	292uH±10%	F(kHz)=10, Ug(V)=0.1	SERIAL MODE 串联模式
Lk 漏感	PIN(10-8)	8uH max	F(kHz)=100, Ug(V)=0.1 shorted W2, W3, WAux	SERIAL MODE 串联模式
DCR 直流	PIN(1-2)	30mΩ±20%	/	4 WIRE MODE 四线模式
	PIN(4-5)	25mΩ±20%	/	4 WIRE MODE 四线模式
	PIN(7-6)	190mΩ±20%	/	4 WIRE MODE 四线模式
	PIN(10-8)	650mΩ±20%	/	4 WIRE MODE 四线模式
HIPOT 耐压	PRI. /SEC.	NO BREAKDOWN 漏电流≤5.0mA	VAC=3000V/60SEC. or 3750V/1SEC F(Hz)=50	/
	PIN(10-8)/PIN(7-6)	NO BREAKDOWN 漏电流≤5.0mA	VDC=500V/60SEC. or 625V/1SEC	
PH 相位	REFER TO LAYOUT DIAGRAM FIG-1 参照原理图 FIG-1			

Prepared By ENG:	Date:	TITLE: TRANSFORMER	CUSTOMER Approved:	MODEL NO.EFL25	
Checked By QA:	Date:			REV.	00
Approved By ENG:	Date:			PAGE 1 OF 3	



OUTLINE DIAGRAM (外观图) :

UNIT : mm
TOLERANCE: .X ± 0.5 .XX ± 0.1



NOTES:

- The two cores are to be held with 2 layer 7.0mm width tape.
外包磁芯用2层7.0mm胶纸固定
- The transformer must be vacuum impregnated in varnish;
产品需含浸凡立水且抽真空;
- YYWW: year week code .
YYWW:年份周期代码.
- The product should be according to RoHS
产品要符合RoHS

Prepared By ENG:

Date :

TITLE :

CUSTOMER

MODEL NO.:EFL25

Checked By QA:

Date :

Approved:

REV.:

00

Approved By ENG:

Date :

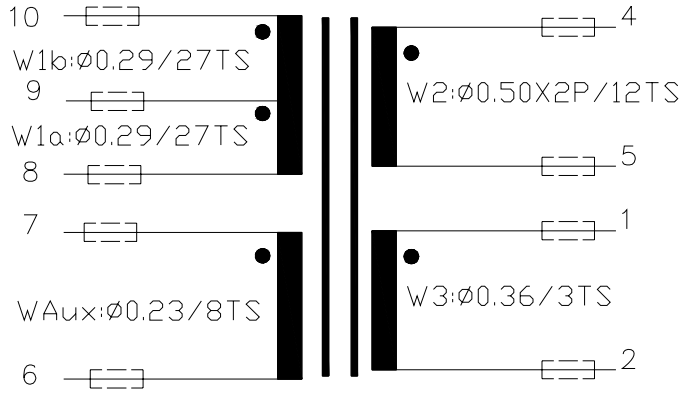
TRANSFORMER

Date:

PAGE 2 OF 3



LAYOUT DIAGRAM(原理圖) : (FIG-1)



REMARK:

1. [] Sleeved with teflon tube

PRI.

SEC.

FIG-1

CROSS SECTION DIAGRAM剖视图 : (FIG-2)

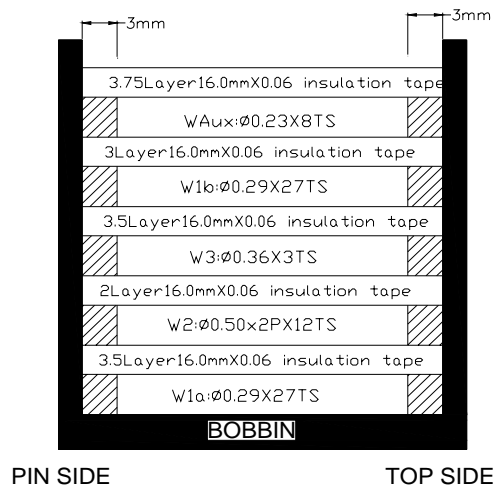


FIG-2

Prepared By ENG:	DATE :	TITLE: TRANSFORMER	CUSTOMER	MODEL NO: EFL25	
Checked By QA:	DATE :		Approved:	REV.	00
Approved By ENG:	DATE :		Date:	PAGE 3 OF 3	

免责声明 Disclaimer

Specifications and appearances may change without notice. All statements, technical information and recommendations herein are based on tests that we believed to be reliable, but the accuracy and completeness are not guaranteed. Before using, user should determine the suitability of the product for its intended use, and the user assumes all risks and liabilities whatsoever in connection therewith. Neither the seller nor the manufacturer shall be liable for any loss or damage, direct, incidental or consequential, including loss of profits or revenues arising from the use or inability to use the product. Any statements or recommendations shall have no effect unless contained in an agreement signed by authorized personnel of the seller and manufacturer.

依美电感保留更改产品资料和外观的最终权利而无需事先通知。如有任何争议，依美电感保留最终决定权。此中文免责声明为英文版本译本，如中、英文两个版本有任何抵触或不相符之处，应以英文版本为准。