



DATA SPECIFICATION(特性要求): (TABLE-1)

ITEM 項目	MEASUREMENTS 測試腳位	CHARACTERISTICS 測試範圍	MEASURING CONDITIONS 測試條件 T(°C)=25±3;HR(%)=45±15	REMARK 備注
UNLOADED VOLTAGE 空載輸出電壓	PIN(12-11) PIN(12-13)	16.5V±15%	NO LOAD INPUT PIN(1, 3-2, 4):	115VAC/230VAC±15% 50Hz
	PIN(12-14) PIN(12-10)	22.0V±15%	NO LOAD INPUT PIN(1, 3-2, 4):	115VAC/230VAC±15% 50Hz
	PIN(12-9) PIN(12-8)	7.5V±15%	NO LOAD INPUT PIN(1, 3-2, 4):	115VAC/230VAC±15% 50Hz
LOADED VOLTAGE 負載輸出電壓	PIN(12-11) PIN(12-13)	14.5V±15%	INPUT PIN(1, 3-2, 4):	115VAC/230VAC±15% 50Hz @AC 0.3A Load
	PIN(12-14) PIN(12-10)	19.2V±15%	INPUT PIN(1, 3-2, 4):	115VAC/230VAC±15% 50Hz @AC 0.2A Load
	PIN(12-9) PIN(12-8)	6.5V±15%	INPUT PIN(1, 3-2, 4):	115VAC/230VAC±15% 50Hz @AC 0.6A Load
UNLOADED Current 空載電流	PIN(1, 3-2, 4)	70mA MAX.	NO LOAD INPUT PIN(1, 3-2, 4):	115VAC/ 50Hz SHORTED PIN1&3, PIN2&4
	PIN(1, 3-2, 4)	35mA MAX.	NO LOAD INPUT PIN(1-4):	230VAC/ 50Hz SHORTED PIN2, 3
DCR 直 流 電 阻	PIN(1, 3-2, 4)	120Ω MAX.	/	4 WIRES MODE 四 線 模 式
	PIN(12-14)	15.0Ω MAX.	/	4 WIRES MODE 四 線 模 式
	PIN(12-13)	6.2Ω MAX.	/	4 WIRES MODE 四 線 模 式
	PIN(12-11)	6.6Ω MAX.	/	4 WIRES MODE 四 線 模 式
	PIN(12-10)	15.5Ω MAX.	/	4 WIRES MODE 四 線 模 式
	PIN(12-9)	1.6Ω MAX.	/	4 WIRES MODE 四 線 模 式
	PIN(12-8)	1.7Ω MAX.	/	4 WIRES MODE 四 線 模 式
HIPOT 耐 壓	PRI./SEC.	NO Breakdown 漏電流≤5.0mA	VAC=2500V/60SEC. F(Hz) =50Hz	
	COIL/CORE	NO Breakdown 漏電流≤5.0mA	VAC=1510V/60SEC. F(Hz) =50Hz	
PH 相 位	REFER TO LAYOUT DIAGRAM FIG-1 參考原理圖(FIG-1)			

REMARK:

1.INPUT=230VAC,SHORTED PIN2&3,TEST PIN 1-4;

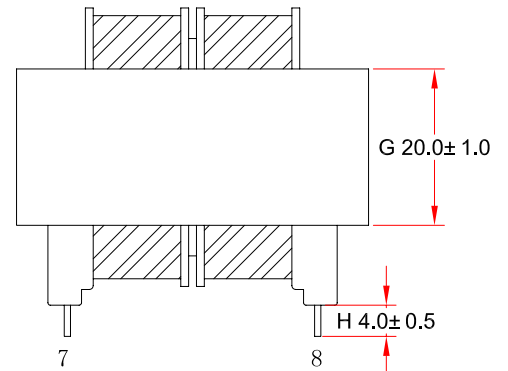
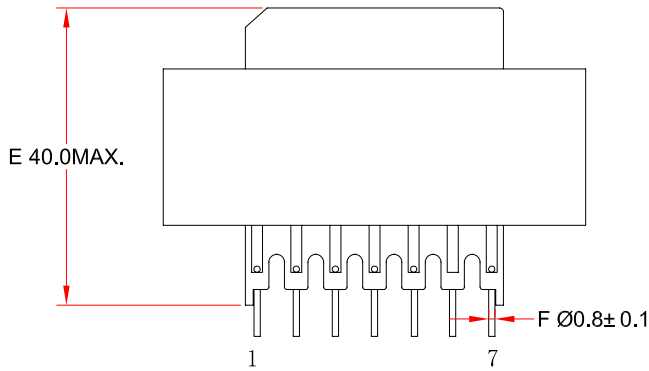
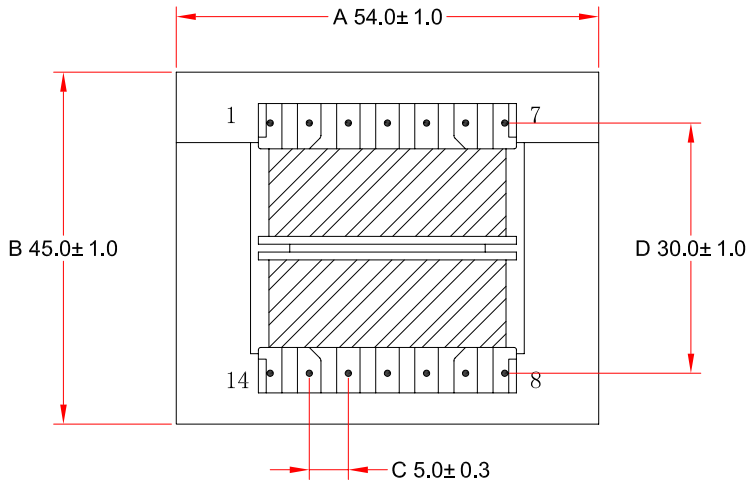
2.INPUT=115VAC,SHORTED PIN1&3,PIN2&4,TEST PIN 1,3-2,4.

Prepared By ENG:	DATE :	TITLE: TRANSFORMER	CUSTOMER	MODEL NO:EI54	
Checked By QA:	DATE :		Approved:	REV.	00
Approved By ENG:	DATE :		Date:	PAGE 1 OF 3	



OUTLINE DIAGRAM (外观图) :

UNIT : mm



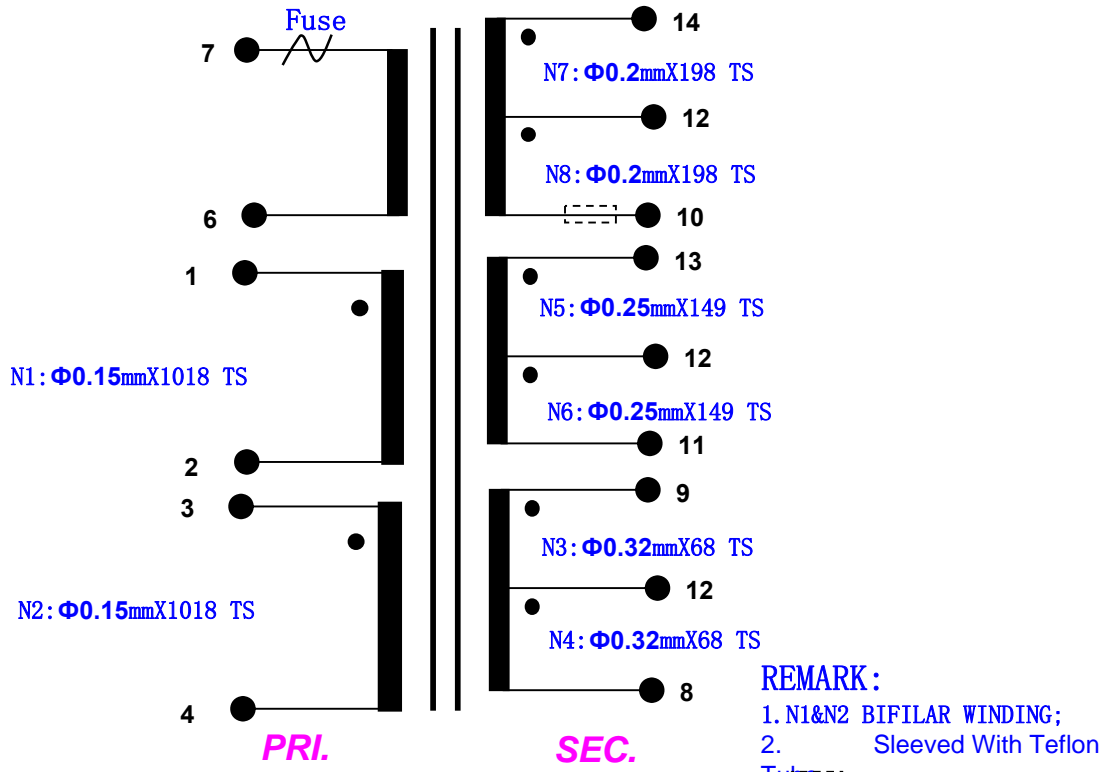
NOTES:

1. Assembly the cores on the bobbin with 2layers 20mm width insulating tape.
用20mm宽的胶包2圈将铁芯组装在胶芯上.
2. The product must be vacuum impregnated in varnish;
产品须浸凡立水且抽真空;
3. YYWW: date /code.
YYWW: 年份周期代码.
4. The part should be complied with RoHS requirement.
产品须满足RoHS需求.

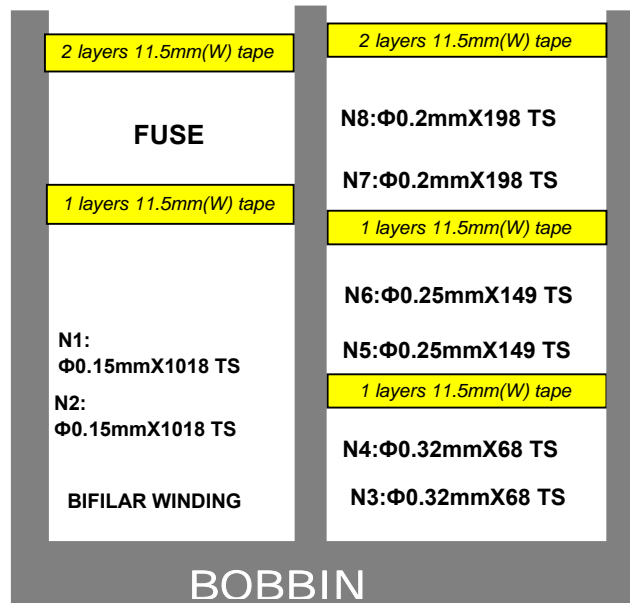
Prepared By ENG:	Date :	TITLE : TRANSFORMER	CUSTOMER Approved: Date:	MODEL NO. :EI54	
Checked By QA :	Date :			REV.	00
Approved By ENG:	Date :			PAGE	2 OF 3



LAYOUT DIAGRAM (原理圖) : (FIG-1)



CROSS SECTION DIAGRAM(剖视图) : (FIG-2)



Prepared By ENG:	DATE:	TITLE: TRANSFORMER	CUSTOMER	MODEL NO:EI54
Checked By QA:	DATE:		Approved:	REV. 00
Approved By ENG:	DATE:		Date:	PAGE 3 OF 3

免责声明
Disclaimer

Specifications and appearances may change without notice. All statements, technical information and recommendations herein are based on tests that we believed to be reliable, but the accuracy and completeness are not guaranteed. Before using, user should determine the suitability of the product for its intended use, and the user assumes all risks and liabilities whatsoever in connection therewith. Neither the seller nor the manufacturer shall be liable for any loss or damage, direct, incidental or consequential, including loss of profits or revenues arising from the use or inability to use the product. Any statements or recommendations shall have no effect unless contained in an agreement signed by authorized personnel of the seller and manufacturer.

依美电感保留更改产品资料和外观的最终权利而无需事先通知。如有任何争议，依美电感保留最终决定权。此中文免责声明为英文版本译本，如中、英文两个版本有任何抵触或不相符之处，应以英文版本为准。