



DATA SPECIFICATION (特性要求): (TABLE-1)

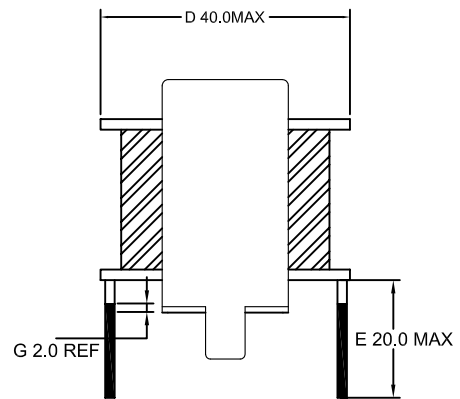
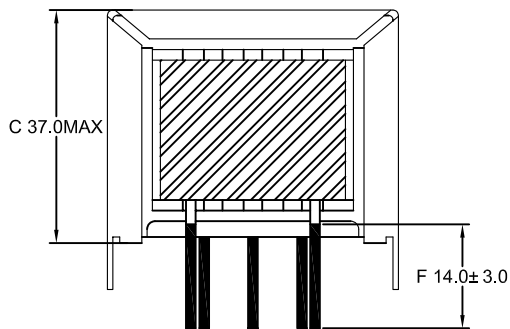
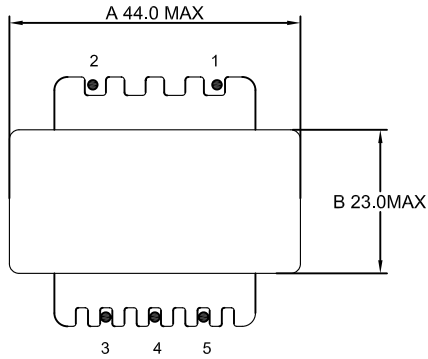
ITEM 項目	MEASUREMENTS 测试脚位	CHARACTERISTICS 测试範圍	MEASURING CONDITIONS 测试條件 T(°C)=25±3; HR(%)=45±15	REMARK 備注
UNLOADED VOLTAGE 空载输出电压	PIN(11-8)	9.0VAC MAX	NO LOAD INPUT PIN(1-6)	24VAC 50Hz
LOADED VOLTAGE 负载输出电压	PIN(11-8)	7.5V MIN	INPUT PIN(1-6):24VAC 50Hz @AC 0.3A Load	
UNLOADED Current 空载电流	PIN(1-6)	90mA MAX.	NO LOAD INPUT PIN(1-6): 24VAC/ 50Hz PIN(11-8) OPENED	
DCR 直流电阻	PIN(1-6)	13.5Ω MAX.	/	4 WIRES MODE 四线模式
DCR 直流电阻	PIN(11-8)	2.6Ω MAX.	/	4 WIRES MODE 四线模式
HIPOT 耐压	PRI./SEC.	NO Breakdown 漏电流≤1.0mA	VAC=1000V/5SEC. F(Hz) =50Hz	
PH 相位	REFER TO LAYOUT DIAGRAM FIG-1 参考原理圖 (FIG-1)			

Prepared By ENG:	DATE :	TITLE: TRANSFORMER	CUSTOMER Approved: Date:	MODEL NO:EI41	
Checked By QA:	DATE :			REV.	00
Approved By ENG:	DATE :			PAGE 1 OF 3	



OUTLINE DIAGRAM (外观图) :

UNIT : mm



NOTES :

1. Assembly the cores on the bobbin with 2 layers 15.5mm width insulating tape.
用15.5mm宽的胶包2圈将铁芯组装在胶芯上.
2. The product must be vacuum impregnated in varnish;
产品须浸凡立水且抽真空;
3. YYWW: date /code (FIG-4).
YYWW: 年份周期代码 (FIG-4).
4. The part should be complied with RoHS requirement.
产品须满足RoHS需求.

Prepared By ENG:	Date :	TITLE : TRANSFORMER	CUSTOMER Approved: Date:	MODEL NO. : EI41	
Checked By QA :	Date :			REV.	00
Approved By ENG:	Date :			PAGE 2 OF 3	



LAYOUT DIAGRAM (原理圖) : (FIG-1)

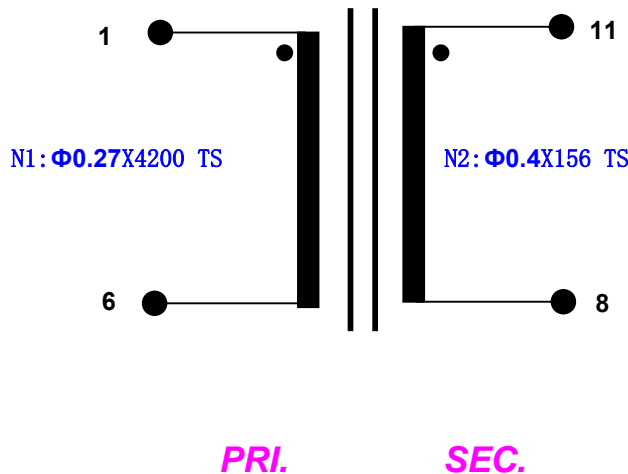


FIG-1

CROSS SECTION DIAGRAM(剖视图):(FIG-2)

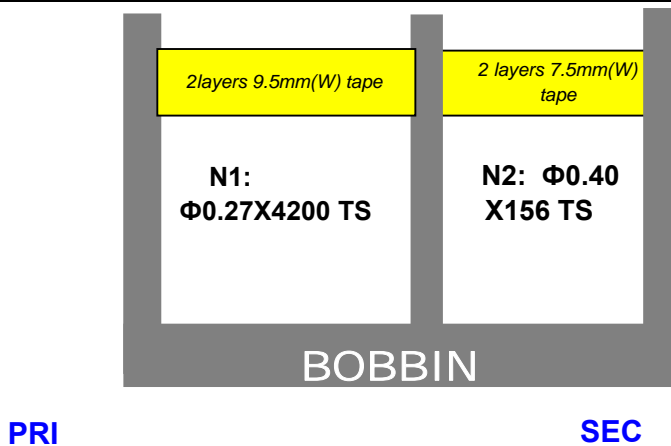


FIG-2

Prepared By ENG:	DATE:	TITLE: TRANSFORMER	CUSTOMER	MODEL NO:EI41	
Checked By QA:	DATE:		Approved:	REV.	00
Approved By ENG:	DATE:		Date:	PAGE 3 OF 3	

免责声明 Disclaimer

Specifications and appearances may change without notice. All statements, technical information and recommendations herein are based on tests that we believed to be reliable, but the accuracy and completeness are not guaranteed. Before using, user should determine the suitability of the product for its intended use, and the user assumes all risks and liabilities whatsoever in connection therewith. Neither the seller nor the manufacturer shall be liable for any loss or damage, direct, incidental or consequential, including loss of profits or revenues arising from the use or inability to use the product. Any statements or recommendations shall have no effect unless contained in an agreement signed by authorized personnel of the seller and manufacturer.

依美电感保留更改产品资料和外观的最终权利而无需事先通知。如有任何争议，依美电感保留最终决定权。此中文免责声明为英文版本译本，如中、英文两个版本有任何抵触或不相符之处，应以英文版本为准。