



## DATA SPECIFICATION(特性要求): (TABLE-1)

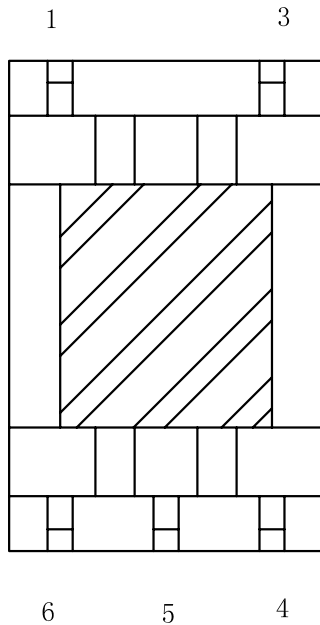
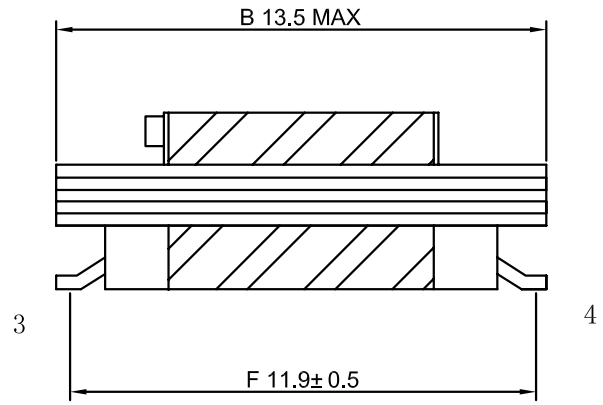
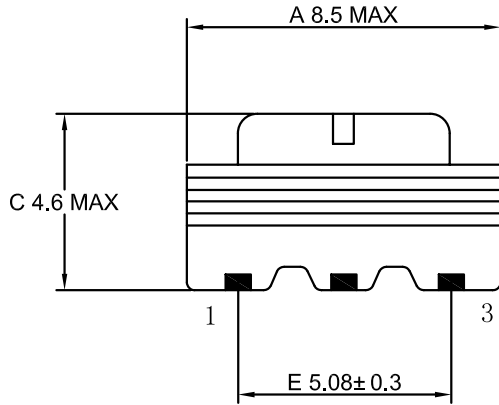
ITEM 项目	MEASUREMENTS 测试脚位	CHARACTERISTICS 测试范围	MEASURING CONDITIONS 测试条件 T=25±3℃;HR(%)=45±15	REMARK 备注
Ls 电感	PIN(3-1)	250mH MIN.	F(KHz)=1.0 Ug(V)=1.0	SERIAL MODE 串联模式
	PIN(4-6)	250mH MIN.	F(KHz)=1.0 Ug(V)=1.0	SERIAL MODE 串联模式
DCR 直流电阻	PIN(3-1)	52.0Ω MAX	/	SERIAL MODE 串联模式
	PIN(4-6)	63.0Ω MAX	/	SERIAL MODE 串联模式
Impedance 阻抗	PIN(3-1)	600Ω±10%	F(KHz)=1.0 Ug(V)=1.0 PIN(4-6):LOAD 600Ω	
	PIN(4-6)	600Ω±10%	F(KHz)=1.0 Ug(V)=1.0 PIN(4-6):LOAD 600Ω	
COPLANARITY 共 平面度	ALL PINS	0.20mm MAX.	/	/
HIPOT 耐压	(3-1)/(4-6)	NO BREAKDOWN 漏电流≤5.0mA	VDC=500V/2SEC F(HZ)=50	/
PH 相位	REFER TO LAYOUT DIAGRAM (FIG-1)			

Prepared By ENG:	Date:	<b>TITLE:</b>  <b>AUDIO TRANSFORMER</b>	CUSTOMER Approved:	MODEL NO.:ED8	
Checked By QA:	Date:			REV.	00
Approved By ENG:	Date:			PAGE 1 OF 3	



OUTLINE DIAGRAM (外观图) :

UNIT : mm



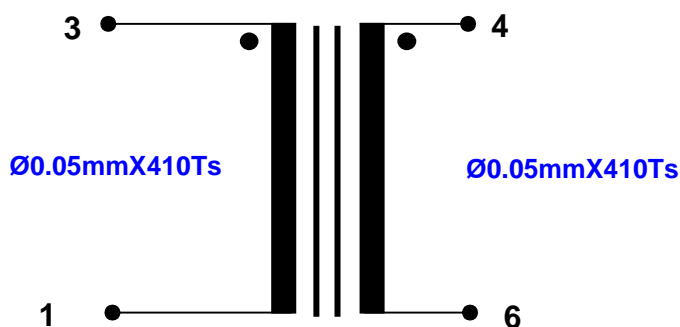
**NOTES:**

1. Cut off PIN2;  
剪掉PIN2脚;
2. The product should be according to RoHS  
产品要符合RoHS

Prepared By ENG:	Date :	TITLE :  AUDIO TRANSFORMER	CUSTOMER Approved: Date:	MODEL NO. : ED8	
Checked By QA:	Date :			REV.:	00
Approved By ENG:	Date :			PAGE 2 OF 3	

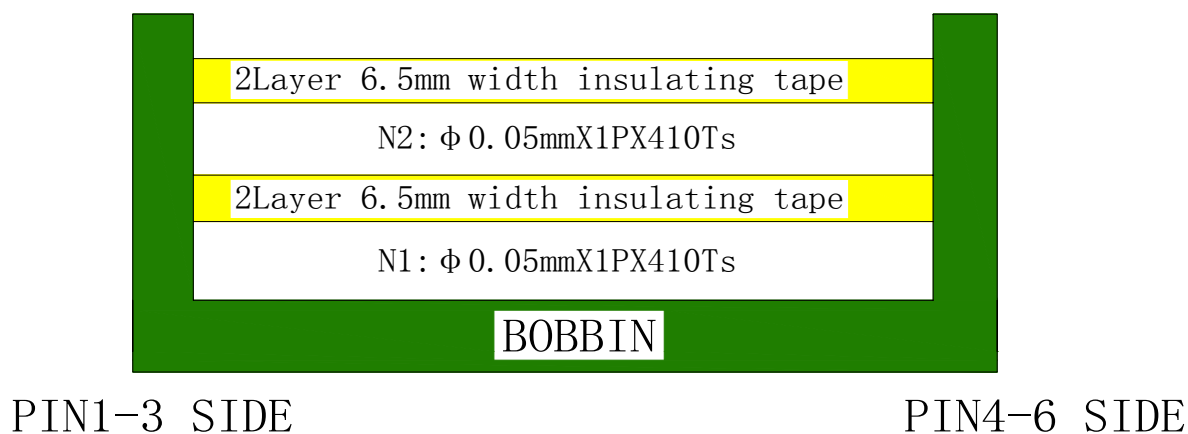


# LAYOUT DIAGRAM 原理图:(FIG-1)



**FIG-1**

# CROSS SECTION DIAGRAM 剖视图 : (FIG-2)



**FIG-2**

Prepared By ENG:	Date:	<b>TITLE:</b>  <b>AUDIO TRANSFORMER</b>	CUSTOMER Approved:	MODEL NO.:ED8	
Checked By QA:	Date:			REV.	00
Approved By ENG:	Date:			PAGE 3 OF 3	

免责声明  
Disclaimer

Specifications and appearances may change without notice. All statements, technical information and recommendations herein are based on tests that we believed to be reliable, but the accuracy and completeness are not guaranteed. Before using, user should determine the suitability of the product for its intended use, and the user assumes all risks and liabilities whatsoever in connection therewith. Neither the seller nor the manufacturer shall be liable for any loss or damage, direct, incidental or consequential, including loss of profits or revenues arising from the use or inability to use the product. Any statements or recommendations shall have no effect unless contained in an agreement signed by authorized personnel of the seller and manufacturer. 依美电感保留更改产品资料和外观的最终权利而无需事先通知。如有任何争议，依美电感保留最终决定权。此中文免责声明为英文版本译本，如中、英文两个版本有任何抵触或不相符之处，应以英文版本为准。