



Data Specification(特 性 要 求) : (Table-1)

ITEM 項目	MEASUREMENTS 测试脚位	CHARACTERISTICS 测试範圍	MEASURING CONDITIONS 测试條件 T(°C)=25±3;HR(%)=45±15	REMARK 備注
LS 电感	PIN(2-7)	1.31mH±5%	F(kHz) =1 Ug(V) =0.25	SERIAL MODE 串联模式
DCR 直流 电阻	PIN(2-7)	0.95 Ω MAX	/	4 WIRE MODE 四线模式
	PIN(11-12)	0.07 Ω MAX	/	4 WIRE MODE 四线模式
HI-POT 耐压	N1-N2	NO Breakdown 漏电流 ≤0.5mA	VAC=1500V /2SEC. F(Hz) =50/60Hz	4 WIRE MODE 四线模式

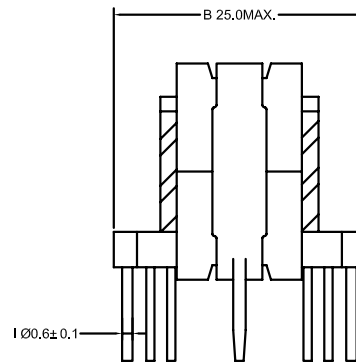
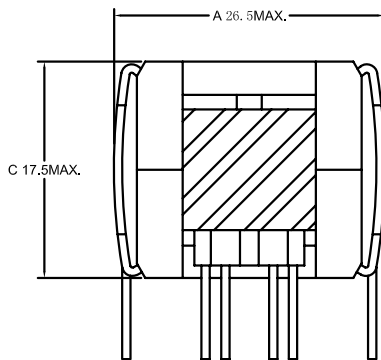
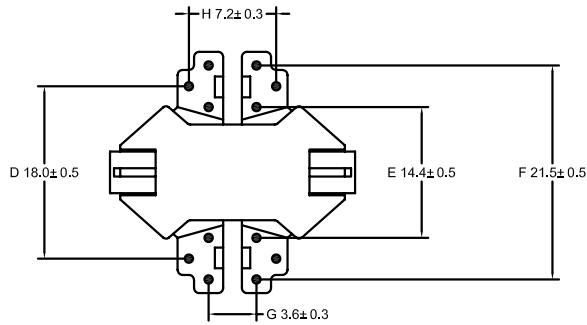
Prepared By ENG:	DATE :	TITLE: TRANSFORMER	CUSTOMER Approved:	MODEL NO:RM8	
Checked By QA:	DATE:			REV.:	00
Approved By ENG:	DATE:			PAGE 1 OF 3	



OUTLINE DIAGRAM (外观图) :

UNIT : mm

TOLERANCE: .XX: ± 0.76 ; XXX: ± 0.127



NOTES:

1. Assembly the core halves with clamps.

用铁夹将两磁芯固定.

2. YYWVC represents date code (C is Filtran-assigned vender code).

YYWVC表示年月日期代码.

3. The product should be according to RoHS

产品要符合RoHS

Prepared By ENG:	Data:	TITLE: TRANSFORMER	CUSTOMER	MODELNO.: RM8
Checked By QA:	Data:		Approved:	REV : 00
Approved By ENG:	Date:		Date:	PAGE 2 OF 3



LAYOUT DIAGRAM(原理圖) : (FIG-1)

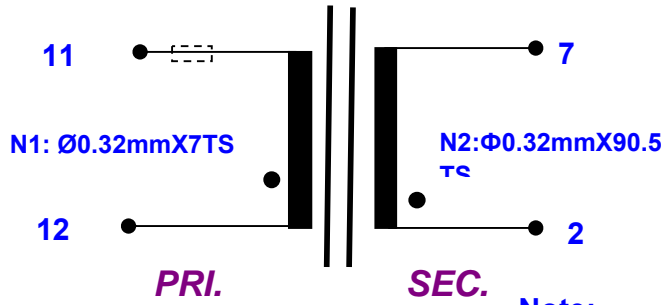


FIG-1

Note:

1. [Dashed box] Sleeved With Teflon Tube
2. Winding1 direction: clockwise
3. Winding2 direction: counter clockwise
4. Winding direction seen from the pin side

CROSS SECTION DIAGRAM剖视图 : (FIG-2)

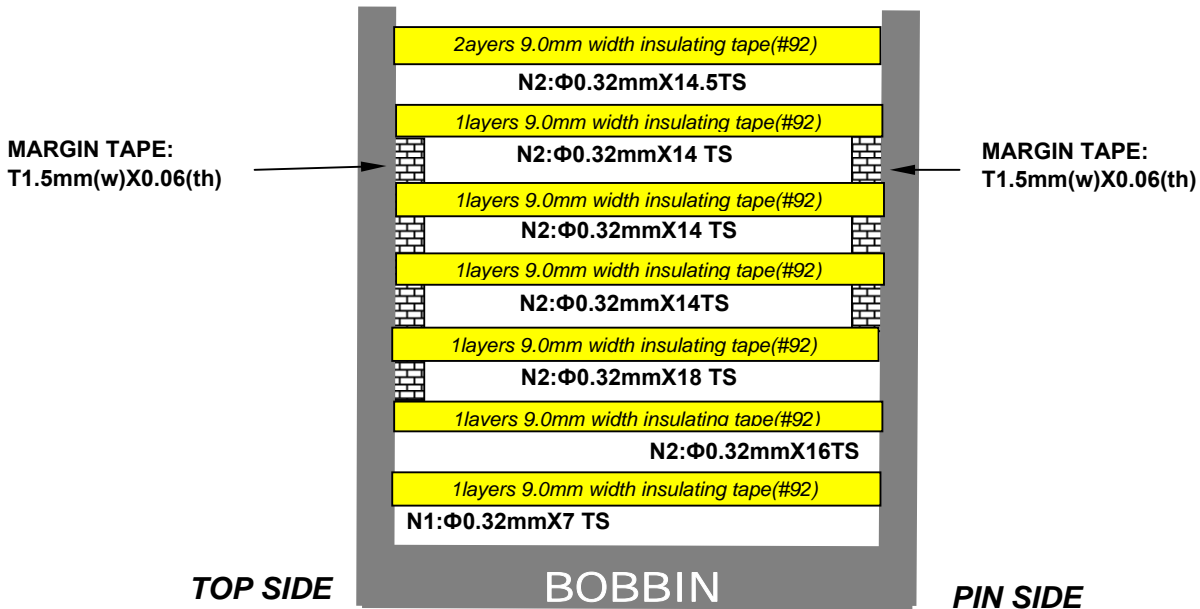


FIG-2

Prepared By ENG:	DATE :	TITLE: TRANSFORMER	CUSTOMER	MODEL NO:RM8	
Checked By QA:	DATE :		Approved:	REV.	00
Approved By ENG:	DATE :		Date:	PAGE 3 OF 3	

免责声明
Disclaimer

Specifications and appearances may change without notice. All statements, technical information and recommendations herein are based on tests that we believed to be reliable, but the accuracy and completeness are not guaranteed. Before using, user should determine the suitability of the product for its intended use, and the user assumes all risks and liabilities whatsoever in connection therewith. Neither the seller nor the manufacturer shall be liable for any loss or damage, direct, incidental or consequential, including loss of profits or revenues arising from the use or inability to use the product. Any statements or recommendations shall have no effect unless contained in an agreement signed by authorized personnel of the seller and manufacturer.

依美电感保留更改产品资料和外观的最终权利而无需事先通知。如有任何争议，依美电感保留最终决定权。此中文免责声明为英文版本译本，如中、英文两个版本有任何抵触或不相符之处，应以英文版本为准。