



# Data Specification(特 性 要 求) : (Table-1)

ITEM 項目	MEASUREMENTS 测试脚位	CHARACTERISTICS 测试範圍	MEASURING CONDITIONS 测试條件 T(°C)=23± 4;HR(%)=45± 15	REMARK 備注
LS 電感	PIN(2-1)	1.8mH±10%	Ug(V) =0.25 F(kHz) =10	SERIAL MODE 串聯模式
DCR 直流 電阻	PIN(2-1)	22.0Ω MAX.		4WIRE MODE 四线模式
	PIN(4-3)	0.25Ω MAX.		4WIRE MODE 四线模式
	PIN(6-5)	0.50Ω MAX.		4WIRE MODE 四线模式
TR 圈比	(2-1)/(4-3)	240:10± 2%	Ug(V) =1 F(kHz) =20	Apply Ug(1-2) 电压施加于(1-2)
	(2-1)/(6-5)	240:20± 2%	Ug(V) =1 F(kHz) =20	Apply Ug(1-2) 电压施加于(1-2)
HIPOT 耐压	(2-1)/(6-5)(4-3)	NO Breakdown 漏电流 ≤5.0mA	VAC=1500V/1SEC.	
PH 相位	REFER TO LAYOUT DIAGRAM (FIG-1) 参考原理图 ( FIG-1)			

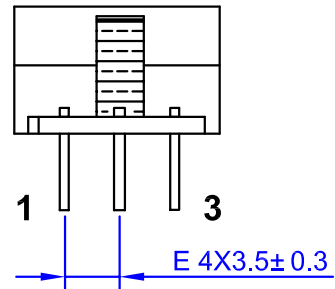
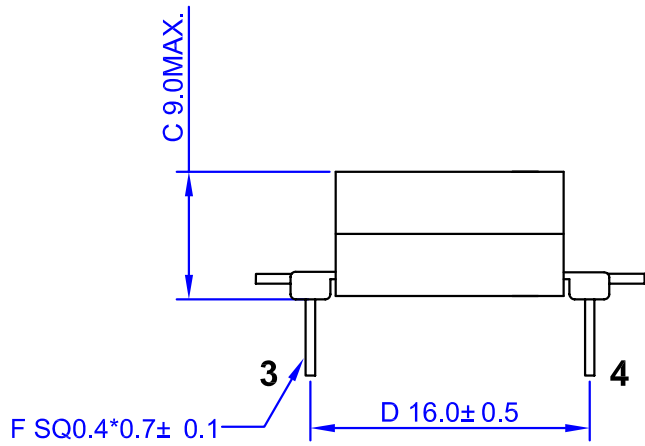
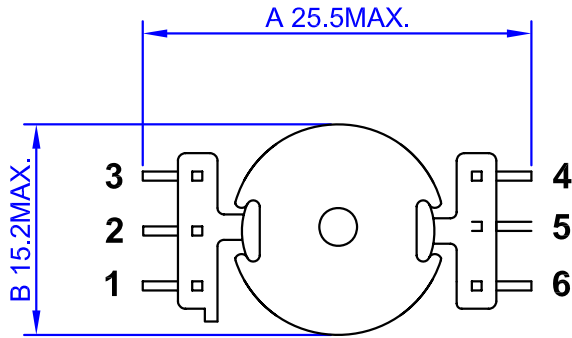
Prepared By ENG:	Date:	<b>TITLE:</b>  <b>TRANSFORMER</b>	CUSTOMER  Approved:	MODEL NO. :POT14X8	
Checked By QA:	Date:			REV.	00
Approved By ENG:	Date:			PAGE	1 OF 3



# OUTLINE DIAGRAM (外观图) :

UNIT : mm

TOLERANCE:  $\pm 0.2\text{mm}$



## NOTES:

1. CORE AND CORE SHOULD BE FIXED BY EPOXY A-400-36  
在CORE之间点A-400-36胶来固定
2. WINDING ON PIN MUST BE 2TURNS;  
线绕在脚上必须有2圈;
3. All parts should be complied with RoHS  
requirement.  
产品须满足RoHS需求.

Prepared By ENG:

Date :

TITLE :

CUSTOMER

MODEL NO. : POT14X8

Checked By QA:

Date :

Approved:

REV. :

00

Approved By ENG:

Date :

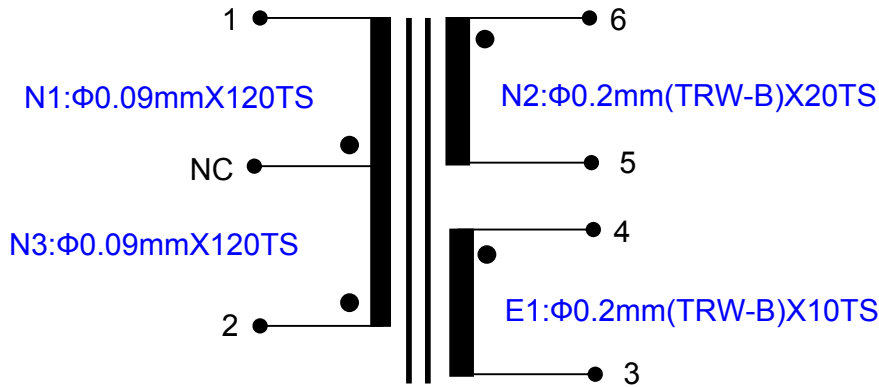
TRANSFORMER

Date:

PAGE 2 OF 3

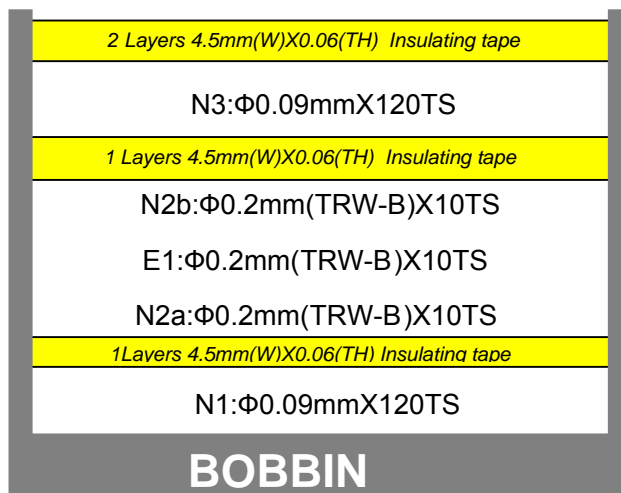


# LAYOUT DIAGRAM (原理图): (FIG-1)



**FIG-1**

# CROSS SECTION DIAGRAM剖视图: ( FIG-2)



**FIG-2**

Prepared By ENG:	Date:	TITLE:  TRANSFORMER	CUSTOMER  Approved:  Date:	MODEL NO. : POT14X8	
Checked By QA:	Date:			REV.	00
Approved By ENG:	Date:			PAGE	3 OF 3

**免责声明**  
Disclaimer

Specifications and appearances may change without notice. All statements, technical information and recommendations herein are based on tests that we believed to be reliable, but the accuracy and completeness are not guaranteed. Before using, user should determine the suitability of the product for its intended use, and the user assumes all risks and liabilities whatsoever in connection therewith. Neither the seller nor the manufacturer shall be liable for any loss or damage, direct, incidental or consequential, including loss of profits or revenues arising from the use or inability to use the product. Any statements or recommendations shall have no effect unless contained in an agreement signed by authorized personnel of the seller and manufacturer.

依美电感保留更改产品资料和外观的最终权利而无需事先通知。如有任何争议，依美电感保留最终决定权。此中文免责声明为英文版本译本，如中、英文两个版本有任何抵触或不相符之处，应以英文版本为准。