



## DATA SPECIFICATION特性要求: (Table-1)

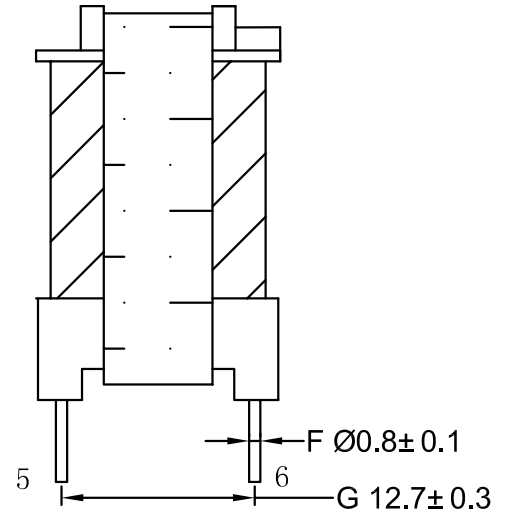
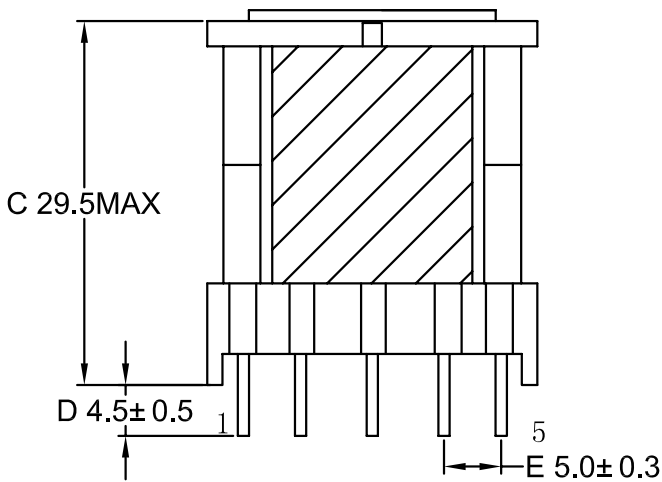
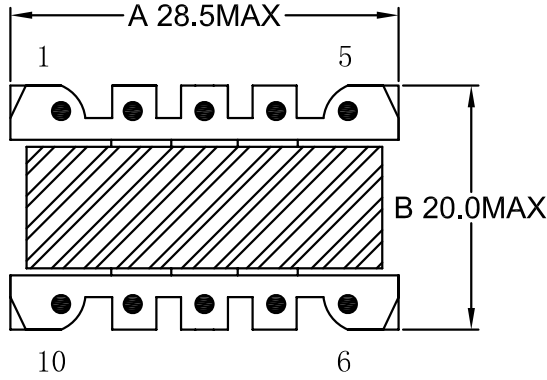
| ITEM<br>项目  | MEASUREMENTS<br>测试脚位                         | CHARACTERISTICS<br>测试范围   | MEASURING CONDITIONS<br>测试条件<br>(T=20±4°C;HR(%)=45±15) | REMARK<br>备注        |
|-------------|--|---------------------------|--|---------------------|
| LS<br>电感    | PIN(10-8)                                    | 292uH±10%                 | F(kHz)=10, Ug(V)=0.1                                   | SERIAL MODE<br>串联模式 |
| Lk<br>漏感    | PIN(10-8)                                    | 8uH max                   | F(kHz)=100, Ug(V)=0.1<br>shorted W2, W3, WAux          | SERIAL MODE<br>串联模式 |
| DCR<br>直流   | PIN(1-2)                                     | 30mΩ±20%                  | /  | 4 WIRE MODE<br>四线模式 |
|             | PIN(4-5)                                     | 25mΩ±20%                  | /  | 4 WIRE MODE<br>四线模式 |
|             | PIN(7-6)                                     | 190mΩ±20%                 | /  | 4 WIRE MODE<br>四线模式 |
|             | PIN(10-8)                                    | 650mΩ±20%                 | /  | 4 WIRE MODE<br>四线模式 |
| HIPOT<br>耐压 | PRI. /SEC.                                   | NO BREAKDOWN<br>漏电流≤5.0mA | VAC=3000V/60SEC. or<br>3750V/1SEC<br>F(Hz)=50          | /                   |
|             | PIN(10-8)/PIN(7-6)                           | NO BREAKDOWN<br>漏电流≤5.0mA | VDC=500V/60SEC.<br>or 625V/1SEC                        |                     |
| PH<br>相位    | REFER TO LAYOUT DIAGRAM FIG-1<br>参照原理图 FIG-1 |                           |  |                     |

|                  |       |   |                 |                |    |
|------------------|-------|---|-----------------|----------------|----|
| Prepared By ENG: | Date: | <b>TITLE:</b><br><br><b>TRANSFORMER</b> | <b>CUSTOMER</b> | MODEL NO.EFL25 |    |
| Checked By QA:   | Date: |   | Approved:       | REV.           | 00 |
| Approved By ENG: | Date: |   | Date:           | PAGE 1 OF 3    |    |



# OUTLINE DIAGRAM (外观图) :

UNIT : mm  
TOLERANCE: .X ± 0.5 .XX ± 0.1



## NOTES:

- The two cores are to be held with 2 layer 7.0mm width tape.  
外包磁芯用2层7.0mm胶纸固定
- The transformer must be vacuum impregnated in varnish;  
产品需含浸凡立水且抽真空;
- YYWW: year week code .  
YYWW:年份周期代码.
- The product should be according to RoHS  
产品要符合RoHS

Prepared By ENG:

Date :

TITLE :

CUSTOMER

MODEL NO.:EFL25

Checked By QA:

Date :

Approved:

REV.:

00

Approved By ENG:

Date :

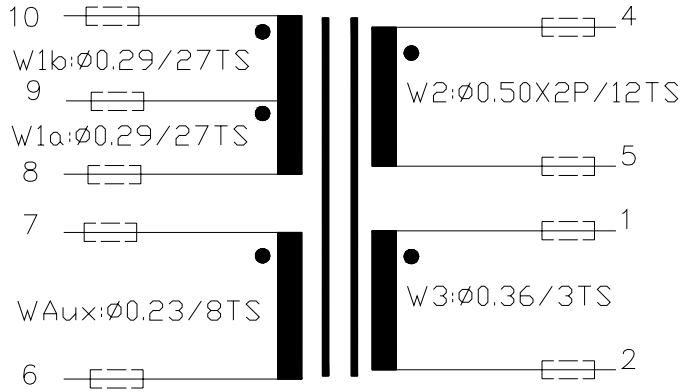
TRANSFORMER

Date:

PAGE 2 OF 3



# LAYOUT DIAGRAM(原理圖) : (FIG-1)



REMARK:

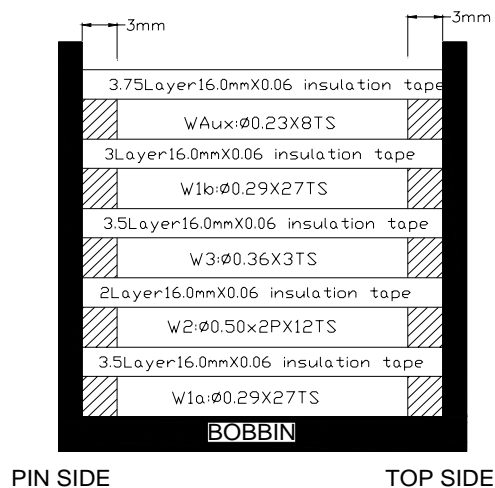
1. [ ] Sleeved with teflon tube

**PRI.**

**SEC.**

**FIG-1**

# CROSS SECTION DIAGRAM剖视图 : (FIG-2)



**FIG-2**

|                  |        |   |           |                 |    |
|------------------|--------|---|-----------|-----------------|----|
| Prepared By ENG: | DATE : | <b>TITLE:</b><br><br><b>TRANSFORMER</b> | CUSTOMER  | MODEL NO: EFL25 |    |
| Checked By QA:   | DATE : |   | Approved: | REV.            | 00 |
| Approved By ENG: | DATE : |   | Date:     | PAGE 3 OF 3     |    |

## 免责声明 Disclaimer

Specifications and appearances may change without notice. All statements, technical information and recommendations herein are based on tests that we believed to be reliable, but the accuracy and completeness are not guaranteed. Before using, user should determine the suitability of the product for its intended use, and the user assumes all risks and liabilities whatsoever in connection therewith. Neither the seller nor the manufacturer shall be liable for any loss or damage, direct, incidental or consequential, including loss of profits or revenues arising from the use or inability to use the product. Any statements or recommendations shall have no effect unless contained in an agreement signed by authorized personnel of the seller and manufacturer.

依美电感保留更改产品资料和外观的最终权利而无需事先通知。如有任何争议，依美电感保留最终决定权。此中文免责声明为英文版本译本，如中、英文两个版本有任何抵触或不相符之处，应以英文版本为准。